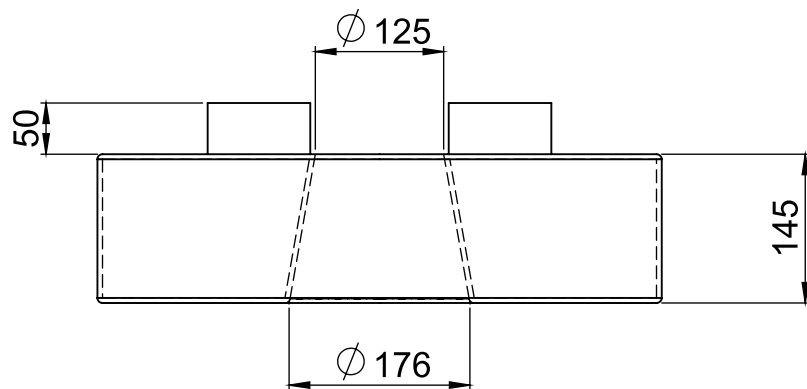
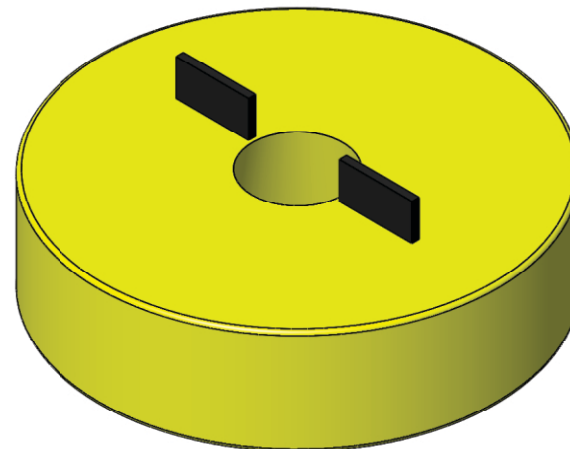
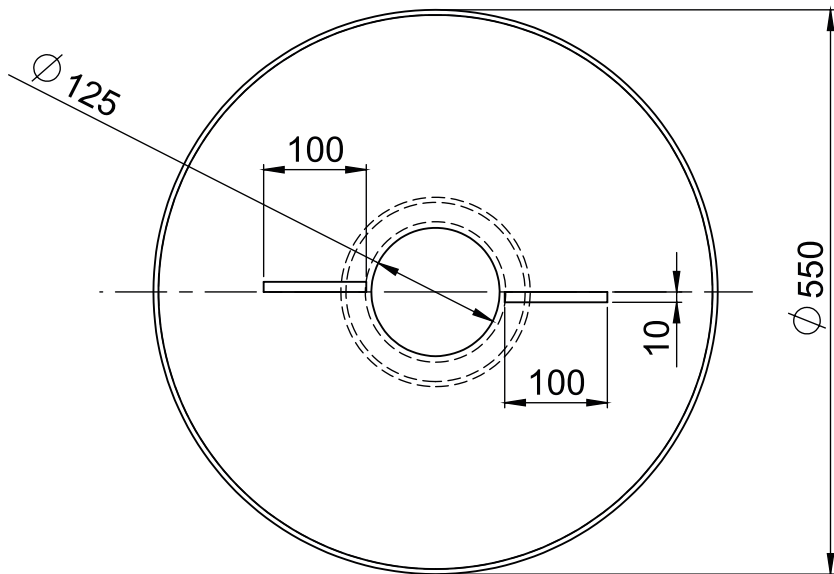


DO NOT SCALE

NOTE: DIMENSIONS MAY VARY BY PLUS OR MINUS 2.5% DUE TO THE ROTATIONAL MOULDING PROCESS



TOTAL VOLUME: APPROX 30 LITRES.  
MAX. RECOMMENDED PAYLOAD: APPROX 15 KG.

A	22.02.10	DH	FIRST ISSUE	
No.	DATE	BY	DESCRIPTION	GOUGH
			REVISION	APPROV.



Gough Industries Pty. Ltd.  
833 Ingham Road  
Bohle, Townsville  
P.O. Box 7570, Garbutt BC, Qld. 4814.  
Telephone 07 47747606  
Facsimile 07 47747608  
A.C.N. 010 028 547

DRAWN	Signature	Date
DRN_CHK	D.HOLLIER	22.02.10
ENGINEER	A.GOUGH	22.02.10
ENG_CHK		
Eng. APPROVAL		

<h1>DAM FLOAT</h1>			
<small>Gough Plastics Dig. No.</small>			
SCALE 1:5	A3	FFAR.800.0100	A
S:\Products\Rural\Damfloat			

This drawing remains the property of Gough Industries Pty. Ltd. It is subject to Gough Industries Pty. Ltd.'s recall and must not be reproduced in part or whole or it's contents divulged to third parties without prior written approval from Gough Industries Pty Limited.